

# COAXIAL TERMINATIONS CONDUCTION COOLED SMA CONNECTORS



## General Specifications

Impedance: 50 Ohms  
 Temperature Range: -55°C to +150°C  
 Housing: Nickel Plated Stainless Steel (Gold plated available upon request)  
 Connector Nut: Passivated Stainless Steel  
 Connector Pin: Gold Plated Brass 55°C to +100°C.  
 Temperature Range: -55°C to +150°C  
 Housing: Black Anodized where applicable.



Part Number	Frequency GHz	VSWR (max)	Power (W)	Mechanical Outline
RCX1SM2	DC-12.0	1.25:1	2	
RCX2SM2	DC-18.0	1.25:1		
RCX3SM2	DC-12.0	1.15:1		
RCX4SM2	DC-2.0	1.15:1		
RCX5SM2	DC-8.0	1.15:1		
RCX6SM2	DC-4.0	1.25:1		

## Ordering Information:

**Example:**      **RCX 6 S M 2 B**

Series            ↑            ↑

Frequency:      ↑            ↑

1:DC-12.0 GHz (VSWR: 1.25:1)  
 2:DC-18.0 GHz (VSWR: 1.25:1)  
 3:DC-12.0 GHz (VSWR: 1.15:1)  
 4:DC-2.0 GHz (VSWR: 1.15:1)  
 5:DC-8.0 GHz (VSWR: 1.15:1)  
 6:DC-4.0 GHz (VSWR: 1.25:1)

Connector Type:      ↑            ↑

S: SMA

Gender:            ↑            ↑

M: Male

Power:            ↑            ↑

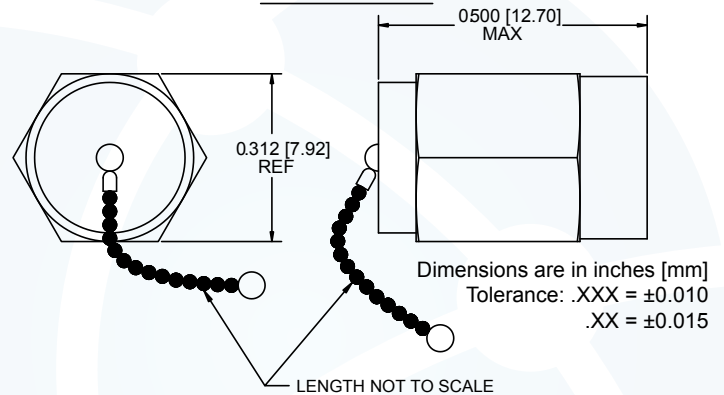
Blank: 1 Watt

2: 2 Watts

Standard: Blank      ↑            ↑

B: Ball and Chain

\*ADD "B" AT END OF PART NUMBER FOR BALL & CHAIN



## DERATING CURVE

