

# FLANGE TERMINATIONS



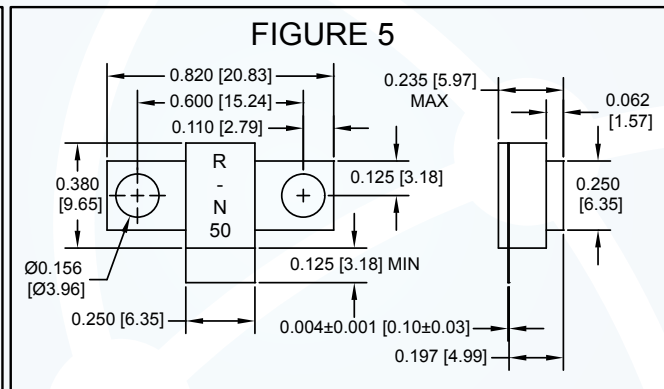
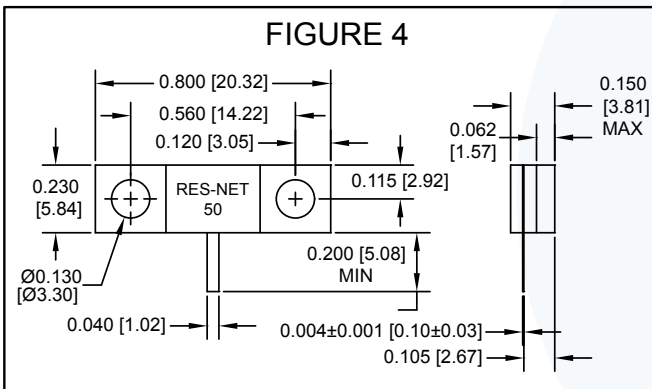
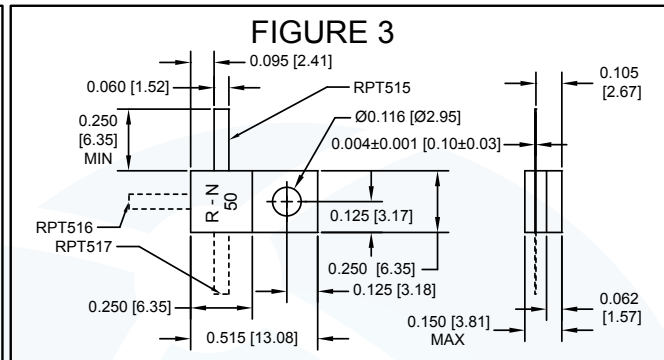
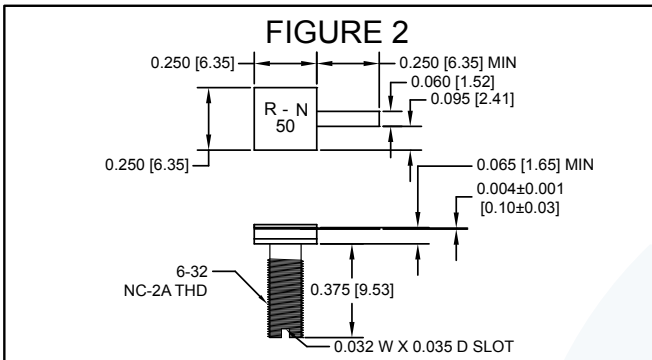
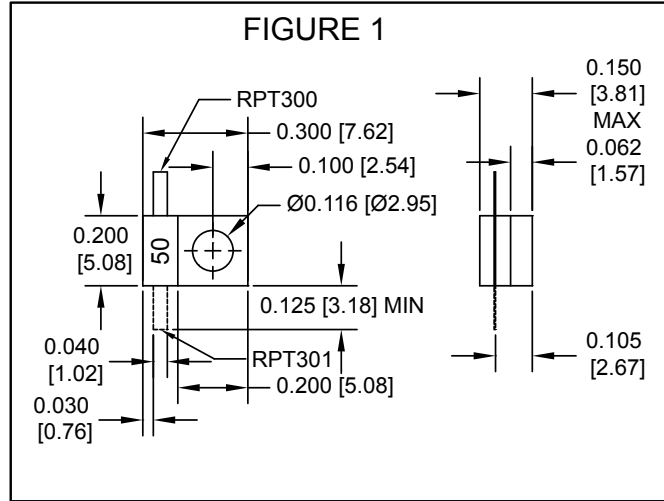
## General Specifications

Substrate: Beryllium Oxide  
Resistive Film: Thick Film  
Tabs: Silver Plated Beryllium Copper  
Flange: Nickel plated Copper

Cover: Alumina  
Impedance: 50 Ohms  
Tolerance:  $\pm 1\%$ ,  $\pm 2\%$ ,  $\pm 5\%$   
Operating Temperature:  $-55^{\circ}\text{C}$  to  $+150^{\circ}\text{C}$



Part Number	Power (W)	Frequency (GHz)	VSWR (max)	Figure
RPT30X-20-50-5	20	DC-8.0 GHz	1.30:1	1
RPS100T-50-5	100	DC-2.0 GHz	1.25:1	2
RPT51X-20-50-5	20	DC-1.0 GHz 1.0-8.0 GHz	1.10:1 1.25:1	3
RPT51X-30-50-5	30	DC-4.0 GHz 4.0-8.0 GHz	1.20:1 1.25:1	3
RPT51X-100-50-5	100	DC-8.0 GHz	1.25:1	3
RPT800-40-50-5	40	DC-4.0 GHz 4.0 6.0 GHz	1.25:1 1.30:1	4
RPT800-100-50-5	100	DC-6.0 GHz	1.30:1	4

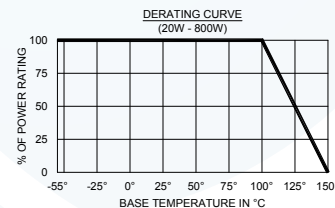


### Ordering Information:

Example: **RPT 800 N 100 50 5**

Series: RPT  
Length Size: 800  
Substrate: N  
N: ALN  
No Designation for Beryllium Oxide  
Power Rating: 100  
Impedance: 50  
Tolerance (±%): 5  
1: 1%, 2: 2%, 5: 5%

Dimensions are in inches [mm]  
Tolerance: .XXX =  $\pm 0.010$   
.XX =  $\pm 0.015$



## General Specifications

Substrate: Beryllium Oxide or  
Aluminum Nitride

Resistive Film: Thick Film

Tabs: Silver Plated Beryllium Copper

Flange: Nickel Plated Copper

Cover: Alumina

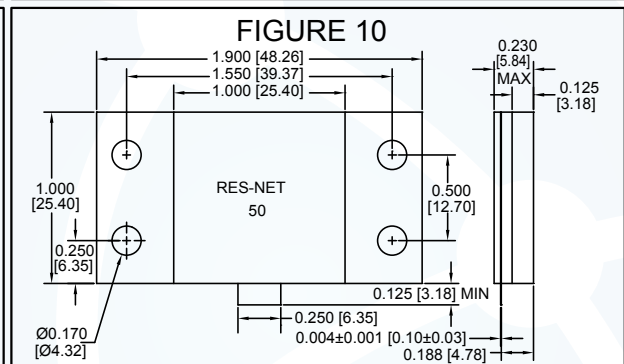
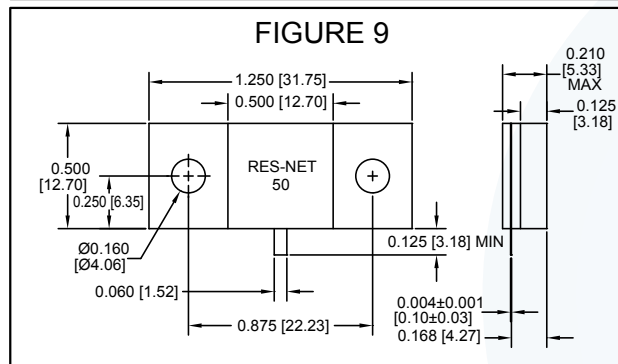
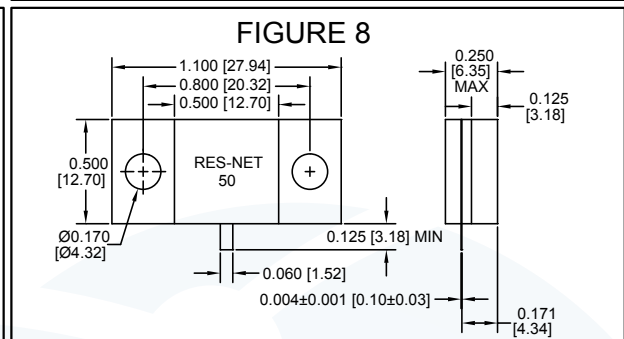
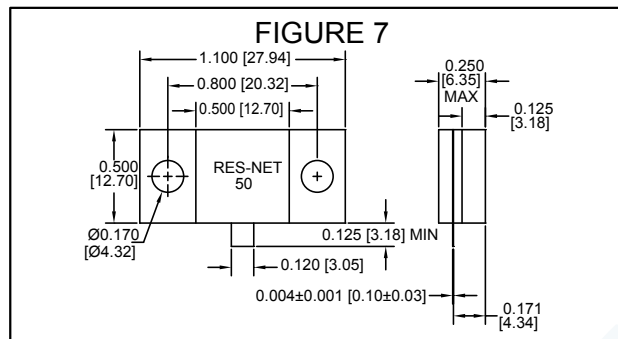
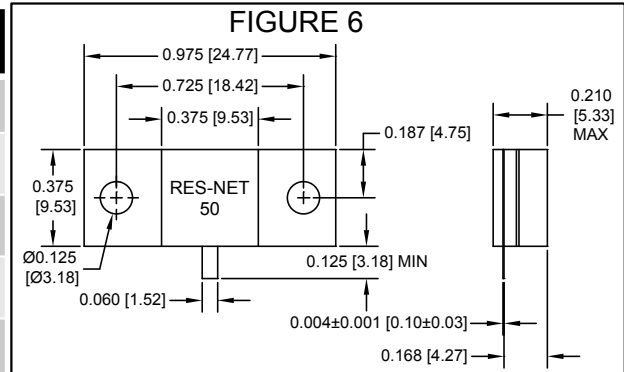
Impedance: 50 Ohms

Tolerance: ±1%, ±2%, ±5%

Operating Temperature: -55°C to +150°C



Part Number	Power (W)	Frequency (GHz)	VSWR (max)	Figure
RPT975-250-50-5	250	DC-3.0	1.25:1	6
RPT1100-400-50-5	400	DC-0.5 0.5-1.0	1.25:1 1.35:1	7
RPT1100-500-50-5	500	DC-1.0 1.0-2.0	1.10:1 1.20:1	8
RPT1250-500-50-5	500	DC-1.0 1.0-2.0	1.10:1 1.20:1	9
RPT1900-800-50-5	800	DC-1.0	1.20:1	10



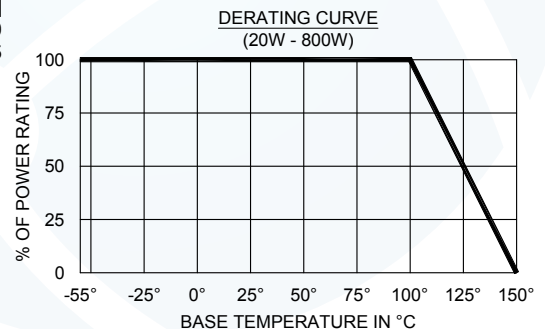
### Ordering Information:

Example: **RPT 1900 N 800 50 5**

Series Model → RPT  
Flange Size → 1900: 1.0X1.04"  
Ceramic → N: Aluminum Nitride  
Power Rating (Watts) → 800  
Impedance (Ohms) → 50  
Tolerance (±%): → 5

1:1%, 2:2%, 5:5%

Dimensions are in inches [mm]  
Tolerance: .XXX = ±0.010  
.XX = ±0.015



# FLANGE TERMINATIONS



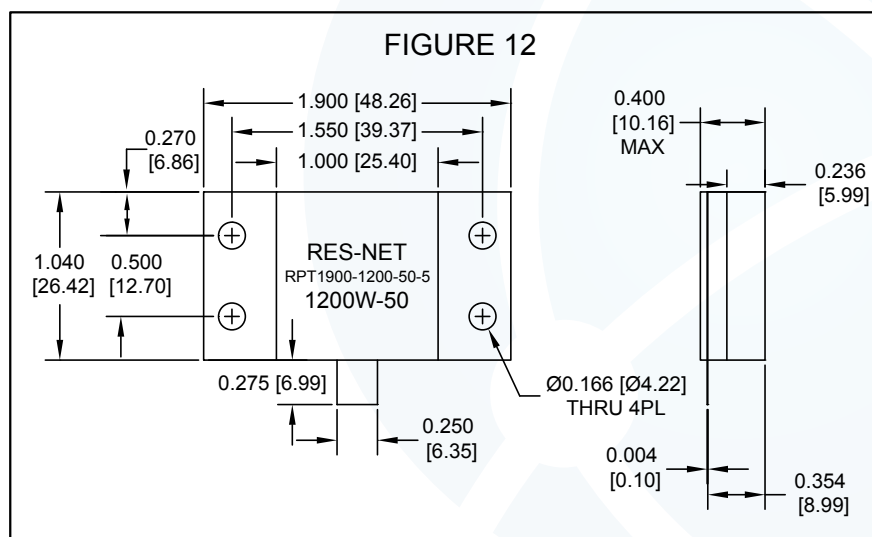
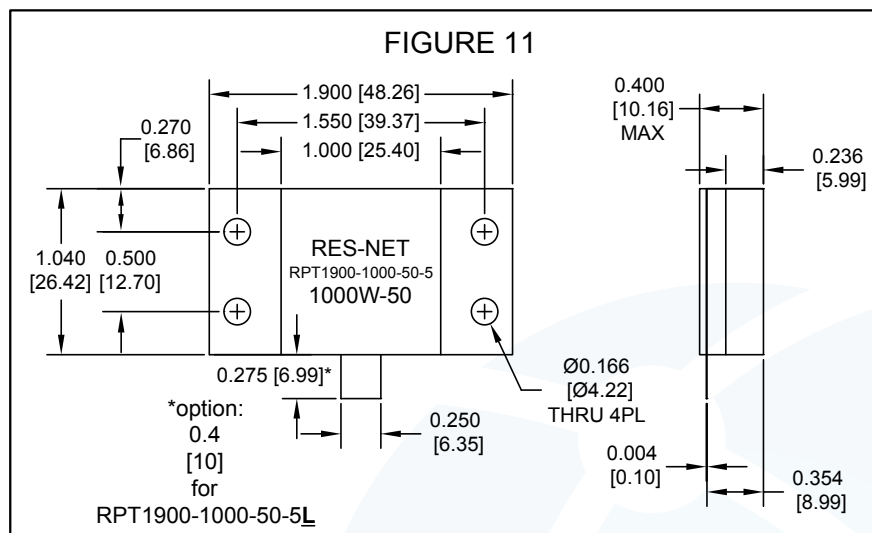
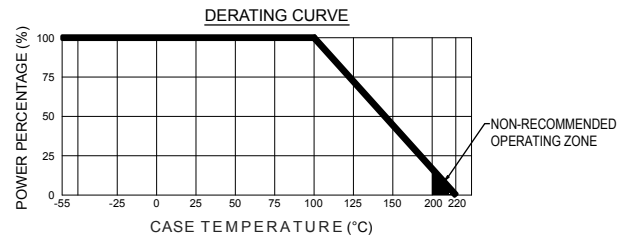
## General Specifications

Substrate: Beryllium Oxide or Aluminum Nitride  
 Resistive Film: Thick Film  
 Tabs: Silver Plated Beryllium Copper  
 Flange: Nickel Plated Copper

Cover: Alumina  
 Impedance: 50 Ohms  $\pm 5\%$   
 Tolerance:  $\pm 5\%$   
 Temperature Range:  $-55^{\circ}\text{C}$  to  $+200^{\circ}\text{C}$



Part Number	Power (W)	Frequency (GHz)	VSWR (max)	Figure
RPT1900-1000-50-5	1000	DC-1.0	1.25:1	11
RPT1900N1000-50-5	1000	DC-1.0	1.25:1	11
RPT1900-1200-50-5	1200	DC-1.0	1.25:1	12



Dimensions are in inches [mm],  
 Tolerance: .XXX =  $\pm 0.010$ ,  
 XX =  $\pm 0.015$

[Ordering Information on Page 57](#)



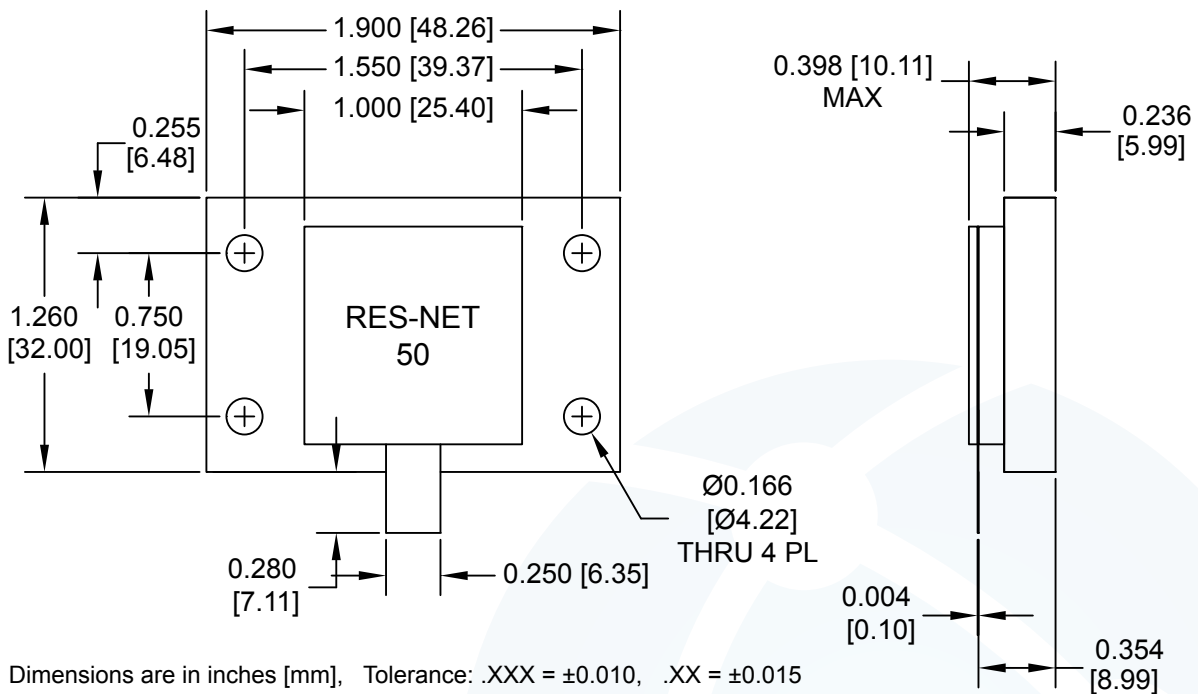
## General Specifications

Substrate: Beryllium Oxide  
Resistive Film: Thick Film  
Tabs: Silver Plated Beryllium Copper  
Flange: Nickel Plated Copper

Cover: Alumina  
Impedance: 50 Ohms  
Tolerance:  $\pm 5\%$   
Operating Temperature:  $-55^{\circ}\text{C}$  to  $+150^{\circ}\text{C}$



Part Number	Power (W)	Frequency (GHz)	VSWR (max)
RPT1900-1500-50-5	1500	DC-1.5	1.15:1



## Ordering Information:

Example:

