

TERMINATIONS TAB & COVER



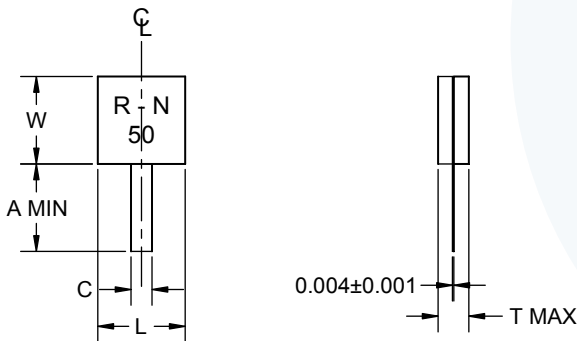
General Specifications

Substrate: Beryllium Oxide or Aluminum Nitride
Resistive Film: Thick Film
Tab: Silver Plated Beryllium Oxide
Cover: Alumina

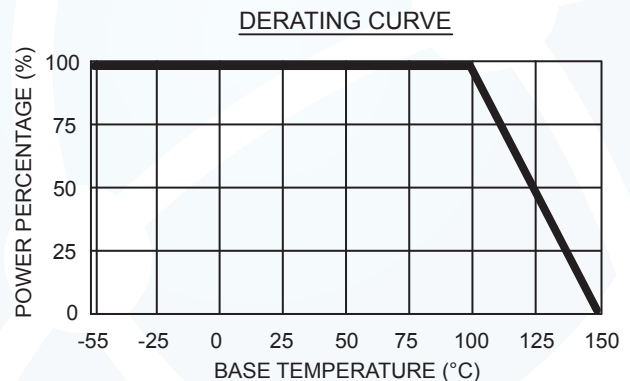


Beryllium Oxide Part Number	W inches (mm)	L inches (mm)	T (MAX)	C (±0.005) inches (mm)	A (MIN) inches (mm)	Power (W)	Frequency (GHz)	VSWR (max)
RPC50-50-T50-XC	0.050 [1.27]	0.050 [1.27]	0.058 [1.47]	0.040 [1.02]	0.125 [3.18]	8	DC – 4.0	1.25:1
RPC50-100-T50-XC	0.050 [1.27]	0.100 [2.54]	0.058 [1.47]	0.040 [1.02]	0.125 [3.18]	15	DC – 4.0	1.25:1
RPC75-150-T50-XC	0.075 [1.10]	0.150 [3.81]	0.058 [1.47]	0.040 [1.02]	0.125 [3.18]	30	DC – 6.0	1.25:1
RPC100-200-4T50-XC	0.100 [2.54]	0.200 [5.08]	0.088 [2.24]	0.040 [1.02]	0.125 [3.18]	40	DC – 6.0	1.25:1
RPC230-350-4T50-XC	0.230 [5.84]	0.350 [8.89]	0.088 [2.24]	0.040 [1.02]	0.125 [3.18]	150	DC – 4.0	1.25:1
RPC250-250-4T50-XC	0.250 [6.35]	0.250 [6.35]	0.088 [2.24]	0.060 [1.52]	0.250 [6.35]	175	DC – 2.0	1.35:1
RPC250-250-6T50-XC	0.250 [6.35]	0.250 [6.35]	0.108 [2.74]	0.060 [1.52]	0.250 [6.35]	100	DC – 2.0	1.35:1
RPC250-375-4T50-XC	0.250 [6.35]	0.375 [9.53]	0.173 [4.39]	0.250 [6.35]	0.125 [3.18]	200	DC – 2.0	1.25:1
RPC250-375-1T50-XC	0.250 [6.35]	0.375 [9.53]	0.143 [3.63]	0.250 [6.35]	0.125 [3.18]	75	DC – 1.5	1.35:1
RPC375-375-4T50-XC	0.375 [9.53]	0.375 [9.53]	0.085 [2.16]	0.060 [1.52]	0.125 [3.18]	250	DC – 2.0	1.2:1
RPC1.0-1.0-1T50-5C	1.04 [26.42]	1.00 [25.4]	0.376 [9.55]	0.250 [6.35]	0.3 [7.62]	1000	DC – 1.0	1.25:1

Aluminum Nitride Part Number	W inches (mm)	L inches (mm)	T (MAX)	C (±0.005) inches (mm)	A (MIN) inches (mm)	Power (W)	Frequency (GHz)	VSWR (max)
RPC50-100-2NT50-XC	0.050 [1.27]	0.100 [2.54]	0.073 [1.85]	0.040 [1.02]	0.125 [3.18]	8	DC – 4.0	1.25:1
RPC60-120-2NT50-XC	0.060 [1.52]	0.120 [3.05]	0.073 [1.85]	0.040 [1.02]	0.125 [3.18]	10	DC – 4.0	1.25:1
RPC100-200-4NT50-XC	0.100 [2.54]	0.200 [5.08]	0.088 [2.24]	0.040 [1.02]	0.125 [3.18]	30	DC – 6.0	1.25:1
RPC250-250-4NT50-XC	0.245 [6.22]	0.245 [6.22]	0.088 [2.24]	0.060 [1.52]	0.250 [6.35]	75	DC – 3.0	1.25:1
RPC250-375-4NT50-XC	0.250 [6.35]	0.375 [9.53]	0.143 [3.63]	0.250 [6.35]	0.125 [3.18]	125	DC – 2.0	1.25:1



Dimensions are in inches [mm]
Tolerance: .XXX = ±0.010, .XX = ±0.015



[Ordering Information on Page 53](#)



