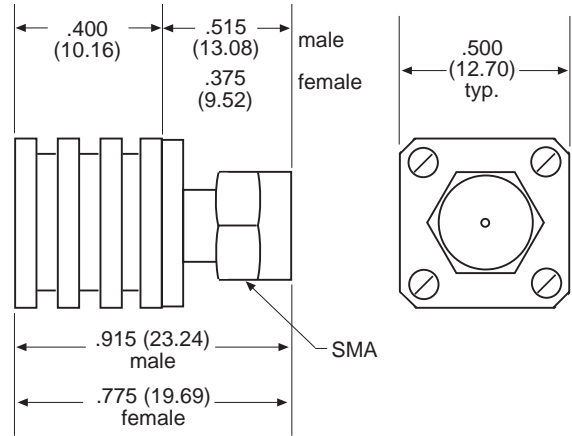


PERFORMANCE SPECIFICATIONS:

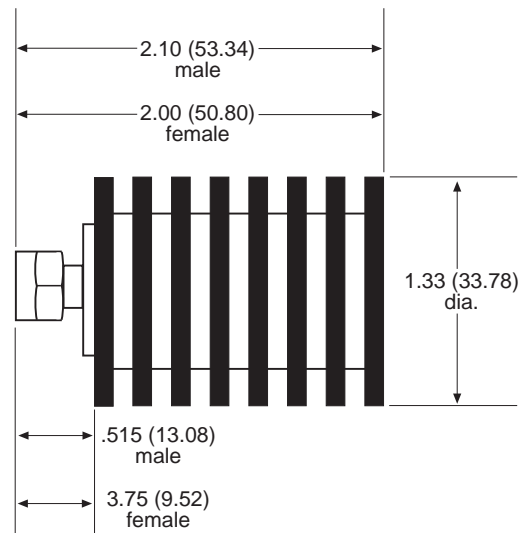
PART NUMBER	CONNECTOR TYPE	VSWR (max.)
RCX-SF5A	SMA FEMALE	DC to 4 GHz - 1.15:1 4 to 8 GHz - 1.25:1 8 to 12 GHz - 1.30:1
RCX-SM5A	SMA MALE	
RCX-SF5B	SMA FEMALE	DC to 8 GHz - 1.20:1 8 to 12 GHz - 1.25:1 12 to 18 GHz - 1.30:1
RCX-SM5B	SMA MALE	
RCX-SF5C	SMA FEMALE	DC to 8 GHz - 1.20:1
RCX-SM5C	SMA MALE	DC to 8 GHz - 1.20:1
RCX-SF5D	SMA FEMALE	DC to 4 GHz - 1.15:1
RCX-SM5D	SMA MALE	DC to 4 GHz - 1.15:1



5 WATTS (1KW peak)

PERFORMANCE SPECIFICATIONS:

PART NUMBER	CONNECTOR TYPE	VSWR (max.)
RFT15SFA	SMA FEMALE	DC to 4 GHz - 1.15:1 4 to 8 GHz - 1.25:1 8 to 12 GHz - 1.30:1
RFT15SMA	SMA MALE	
RFT15SFB	SMA FEMALE	DC to 8 GHz - 1.20:1 8 to 12 GHz - 1.25:1 12 to 18 GHz - 1.30:1
RFT15SMB	SMA MALE	
RFT15SFC	SMA FEMALE	DC to 8 GHz - 1.20:1
RFT15SMC	SMA MALE	DC to 8 GHz - 1.20:1
RFT15SFD	SMA FEMALE	DC to 4 GHz - 1.15:1
RFT15SMD	SMA MALE	DC to 4 GHz - 1.15:1



15 WATTS (2KW peak)