

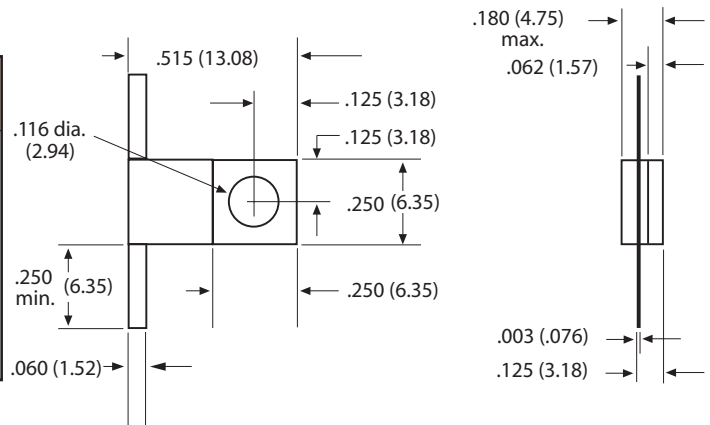
POWER FLANGE ATTENUATORS



PART NUMBER: RPA-20

FREQUENCY RANGE	ATTENUATION ACCURACY (dB)			VSWR (max.)
	dB	DC-1GHz	1-2.5 GHz	
DC - 2.5 GHz	0 - 5	±0.5	±0.5	1.15:1 DC to 1.0 GHz 1.35:1 1.0 to 2.5 GHz
	6 - 9	±0.5	±0.5	
	10 - 15	±0.5	±1.0	
	16 - 20	±0.5	±1.0	
	21 - 30	±1.0	±3.0	

20 WATTS (200 watts peak)

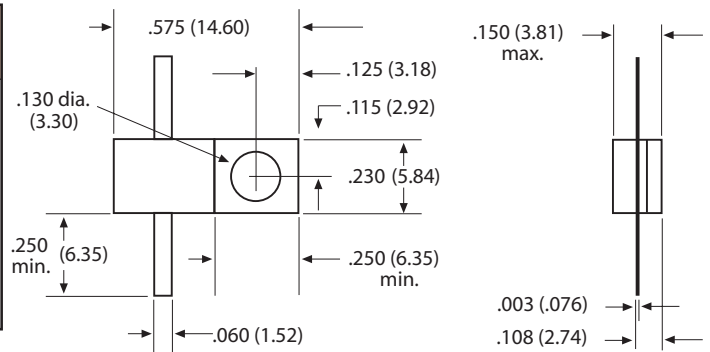


0 to 30 dB

PART NUMBER: RPA-25

FREQUENCY RANGE	ATTENUATION ACCURACY (dB)			VSWR (max.)
	dB	DC-1GHz	1-2.5 GHz	
DC - 2.5 GHz	0 - 5	±0.3	±0.5	1.15:1 DC to 1.0 GHz 1.25:1 1.0 to 2.5 GHz
	6 - 9	±0.3	±0.5	
	10 - 15	±0.3	±0.5	
	16 - 20	±1 dB	±1dB	
	21 - 30	±1.0	±3.0	

25 WATTS (200 watts peak)

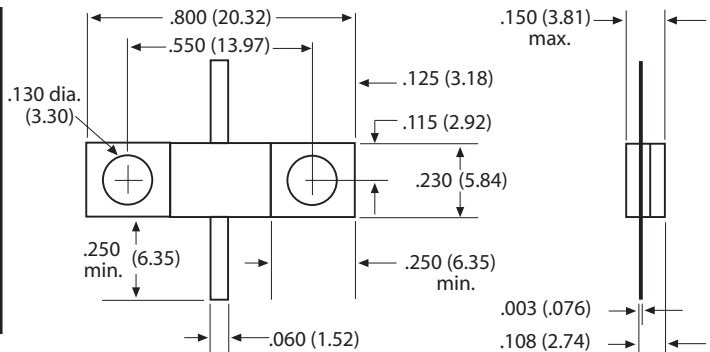


0 to 30 dB

PART NUMBER: RPA-35

FREQUENCY RANGE	ATTENUATION ACCURACY (dB)			VSWR (max.)
	dB	DC-1GHz	1-2.5 GHz	
DC - 2.5 GHz	0 - 5	±0.3	±0.5	1.15:1 DC to 1.0 GHz 1.25:1 1.0 to 2.5 GHz
	6 - 9	±0.3	±0.5	
	10 - 15	±0.3	±0.5	
	16 - 20	±0.5	±0.5	
	21 - 30	±1.0	±3.0	

35 WATTS (200 watts peak)



0 to 30 dB



RES-NET MICROWAVE

P.O. Box 18802 • Clearwater, FL 33762

www.electrotechnik.com