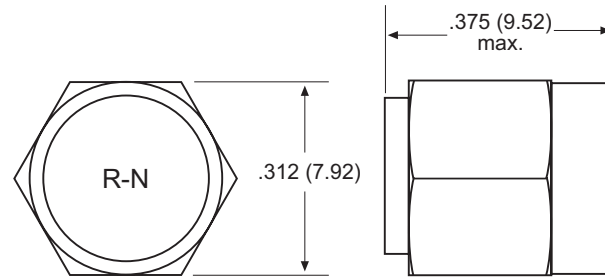


SMA CONNECTORS:

PART NUMBER	FREQUENCY RANGE	VSWR (max.)
RCX1SM	DC to 12 GHz	1.25:1
RCX2SM	DC to 18 GHz	1.25:1
RCX3SM	DC to 12 GHz	1.15:1
RCX4SMG	DC to 20 GHz	1.15:1
RCX5SM	DC to 8 GHz	1.15:1
RCX6SM	DC to 4 GHz	1.15:1
RCX7SM	DC to 26.5 GHz	1.35:1

For gold plated housing and nut add G after part number.

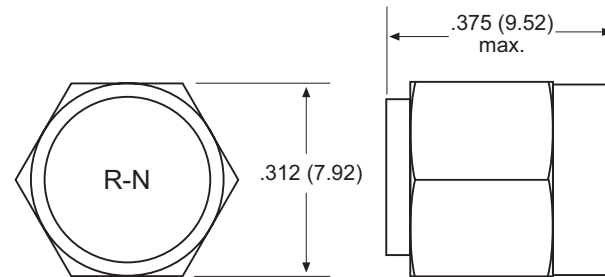


**MALE TYPE
1 WATT (1 Kw peak)**

SMA CONNECTORS:

PART NUMBER	FREQUENCY RANGE	VSWR (max.)
RCX1SM2	DC to 12 GHz	1.25:1
RCX2SM2	DC to 18 GHz	1.25:1
RCX3SM2	DC to 12 GHz	1.15:1
RCX4SM2G	DC to 20 GHz	1.15:1
RCX5SM2	DC to 08 GHz	1.15:1
RCX6SM2	DC to 04 GHz	1.15:1

For gold plated housing and nut add G after part number.

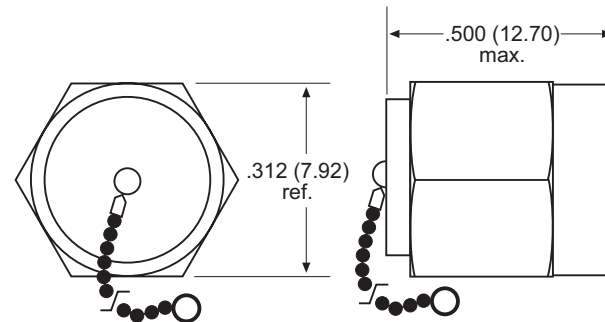


**MALE TYPE
2 WATTS (1 Kw peak)**

SMA CONNECTORS:

PART NUMBER	FREQUENCY RANGE	VSWR (max.)
RCX1SM2B	DC to 12 GHz	1.25:1
RCX2SM2B	DC to 18 GHz	1.25:1
RCX3SM2B	DC to 12 GHz	1.15:1
RCX4SM2BG	DC to 20 GHz	1.15:1
RCX5SM2B	DC to 08 GHz	1.15:1
RCX6SM2B	DC to 04 GHz	1.15:1
RCX7SMB	DC to 26.5 GHz	1.35:1

For gold plated housing and nut add G after part number.



**MALE TYPE 2 WATTS BALL & CHAIN
(1 Kw peak)**