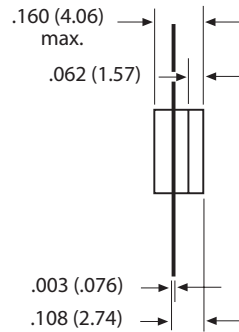
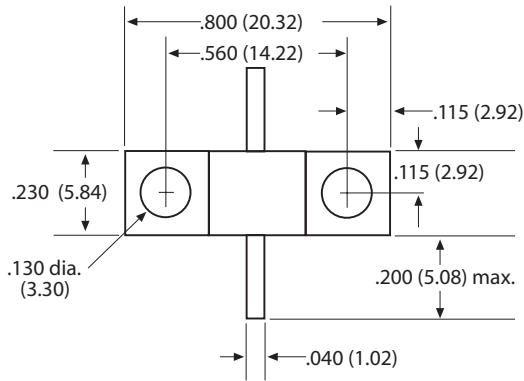


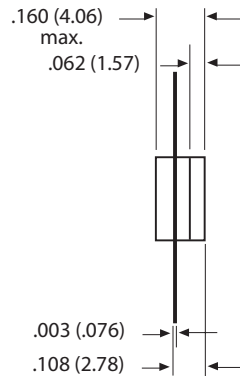
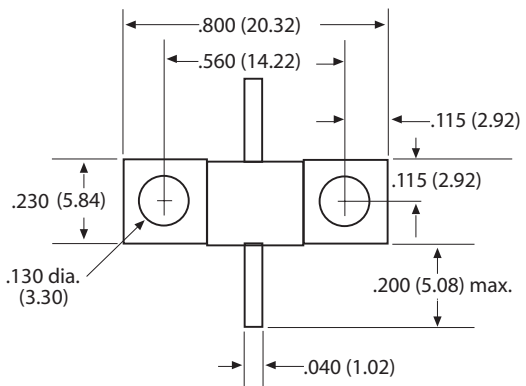
POWER FLANGE RESISTORS



PERFORMANCE SPECIFICATIONS:

Part Number: RPR800-50
Frequency: DC-4.0GHz

50 Watts (2KW Peak)



PERFORMANCE SPECIFICATIONS:

Part Number: RPR800-75
Frequency: DC-4.0GHz

75 Watts (2KW Peak)